

CONTINENTAL GLASS SYSTEMS

SERIES 2200 SLIDING GLASS DOOR (NON-IMPACT)



325 W. 74TH PLACE
HIALEAH, FL 33014
PH: (305) 231-1101 FX: (305) 231-1103

INSTALLATION NOTES:

- TWO (2) INSTALLATION ANCHORS ON HEAD AND ONE (1) INSTALLATION ANCHOR ON SILL FOR EACH ANCHOR LOCATION SHOWN.
- THE NUMBER OF INSTALLATION ANCHORS DEPICTED IS THE MINIMUM NUMBER OF ANCHORS TO BE USED FOR PRODUCT INSTALLATION.
- INSTALL INDIVIDUAL INSTALLATION ANCHORS WITHIN A TOLERANCE OF ±1/2 INCH OF THE DEPICTED LOCATION IN THE ANCHOR LAYOUT DETAIL (I.E., WITHOUT CONSIDERATION OF TOLERANCES). TOLERANCES ARE NOT CUMULATIVE FROM ONE INSTALLATION ANCHOR TO THE NEXT.
- SHIM AS REQUIRED AT EACH INSTALLATION ANCHOR WITH LOAD BEARING SHIM(S). MAXIMUM ALLOWABLE SHIM STACK TO BE 1/4 INCH. SHIM WHERE SPACE OF 1/16 INCH OR GREATER OCCURS. SHIM(S) SHALL BE CONSTRUCTED OF HIGH DENSITY PLASTIC OR BETTER.
- FOR INSTALLATION DIRECTLY INTO CONCRETE/MASONRY, USE 5/16 INCH DIAMETER ELCO ULTRACONS OF SUFFICIENT LENGTH TO ACHIEVE 1 3/4 INCH MINIMUM EMBEDMENT.
- MINIMUM EMBEDMENT AND EDGE DISTANCE EXCLUDE WALL FINISHES, INCLUDING BUT NOT LIMITED TO STUCCO, FOAM, BRICK VENEER, AND SIDING.
- INSTALLATION ANCHORS AND ASSOCIATED HARDWARE MUST BE MADE OF CORROSION RESISTANT MATERIAL OR HAVE A CORROSION RESISTANT COATING.
- FOR HOLLOW BLOCK AND GROUT FILLED BLOCK, DO NOT INSTALL INSTALLATION ANCHORS INTO MORTAR JOINTS. EDGE DISTANCE IS MEASURED FROM FREE EDGE OF BLOCK OR EDGE OF MORTAR JOINT INTO FACE SHELL OF BLOCK.
- INSTALLATION ANCHORS SHALL BE INSTALLED IN ACCORDANCE WITH ANCHOR MANUFACTURER'S INSTALLATION INSTRUCTIONS, AND ANCHORS SHALL NOT BE USED IN SUBSTRATES WITH STRENGTHS LESS THAN THE MINIMUM STRENGTH SPECIFIED BY THE ANCHOR MANUFACTURER.
- INSTALLATION ANCHOR CAPACITIES FOR PRODUCTS HEREIN ARE BASED ON SUBSTRATE MATERIALS WITH THE FOLLOWING PROPERTIES:
 - CONCRETE - MINIMUM COMPRESSIVE STRENGTH OF 3000 PSI.
 - GROUT-FILLED CMU- UNIT STRENGTH CONFORMS TO ASTM C-90 WITH MINIMUM COMPRESSIVE STRENGTH OF 2000 PSI AND GROUT CONFORMS TO ASTM C 476, MINIMUM GROUT COMPRESSIVE STRENGTH OF 2000 PSI.

GENERAL NOTES:

- THE PRODUCT SHOWN HEREIN IS DESIGNED AND MANUFACTURED TO COMPLY WITH THE 5TH EDITION (2014) FLORIDA BUILDING CODE (FBC), INCLUDING HVHZ AND HAS BEEN EVALUATED ACCORDING TO THE FOLLOWING:
 - TAS 202-94
- ADEQUACY OF THE EXISTING STRUCTURAL CONCRETE/MASONRY AND 2X FRAMING AS A MAIN WIND FORCE RESISTING SYSTEM CAPABLE OF WITHSTANDING AND TRANSFERRING APPLIED PRODUCT LOADS TO THE FOUNDATION IS THE RESPONSIBILITY OF THE ENGINEER OR ARCHITECT OF RECORD FOR THE PROJECT OF INSTALLATION.
- 1X AND 2X BUCKS (WHEN USED) SHALL BE DESIGNED AND ANCHORED TO PROPERLY TRANSFER ALL LOADS TO THE STRUCTURE. BUCK DESIGN AND INSTALLATION IS THE RESPONSIBILITY OF THE ENGINEER OR ARCHITECT OF RECORD FOR THE PROJECT OF INSTALLATION.
- THE INSTALLATION DETAILS DESCRIBED HEREIN ARE GENERIC AND MAY NOT REFLECT ACTUAL CONDITIONS FOR A SPECIFIC SITE. IF SITE CONDITIONS CAUSE INSTALLATION TO DEVIATE FROM THE REQUIREMENTS DETAILED HEREIN, A LICENSED ENGINEER OR ARCHITECT SHALL PREPARE SITE SPECIFIC DOCUMENTS FOR USE WITH THIS DOCUMENT IN NON-HVHZ AREAS. IN HVHZ AREAS, ONE TIME PRODUCT APPROVAL TO BE OBTAINED FROM MIAMI-DADE OR AUTHORITY HAVING JURISDICTION (AHJ).
- APPROVED IMPACT PROTECTIVE SYSTEM **IS REQUIRED** ON THIS PRODUCT IN AREAS REQUIRING IMPACT RESISTANCE.
- DOOR FRAME MATERIAL: ALUMINUM 6005-T5 & 6063-T6
- IN ACCORDANCE WITH THE FBC, DISSIMILAR METALS INCLUDING FASTENERS THAT MAY COME INTO CONTACT WITH ALUMINUM UNIT FRAMING SHALL BE PROTECTED FROM GALVANIC CORROSION.
- GLASS MEETS THE REQUIREMENTS OF ASTM E 1300-04 GLASS CHARTS. SEE SHEET 6 FOR GLAZING DETAIL.

TABLE OF CONTENTS		
SHEET	REVISION	SHEET DESCRIPTION
1	-	INSTALLATION & GENERAL NOTES
2	-	ELEVATION & ANCHOR LAYOUT
3	-	ELEVATIONS & ANCHOR LAYOUTS
4	-	VERTICAL SECTIONS
5	-	HORIZONTAL SECTIONS
6	-	HORIZONTAL SECTIONS & GLAZING DETAIL
7	-	COMPONENTS & BILL OF MATERIALS
8	-	COMPONENTS
9	-	CORNER ASSEMBLIES

DESIGN PRESSURE RATING		
	DESIGN PRESSURE - ALL SIZES	MISSILE IMPACT RATING
NON-REINFORCED	+70.0 / -70.0 PSF	NON-IMPACT RATED
REINFORCED	+90.0 / -90.0 PSF	NON-IMPACT RATED

TITLE: SERIES 2200 ALUM. SLIDING GLASS DOOR INSTALLATION & GENERAL NOTES

PREPARED BY:
BUILDING DROPS, INC.
398 E. DANIA BEACH BLVD. #338
DANIA BEACH, FL 33004
PH: 954.399.8478 FX: 954.744.4738

REVISIONS	DESCRIPTION	NO.	DATE	BY



DATE: 08.24.16
DWN BY: JLA
CHK BY: HFN
SCALE: NTS

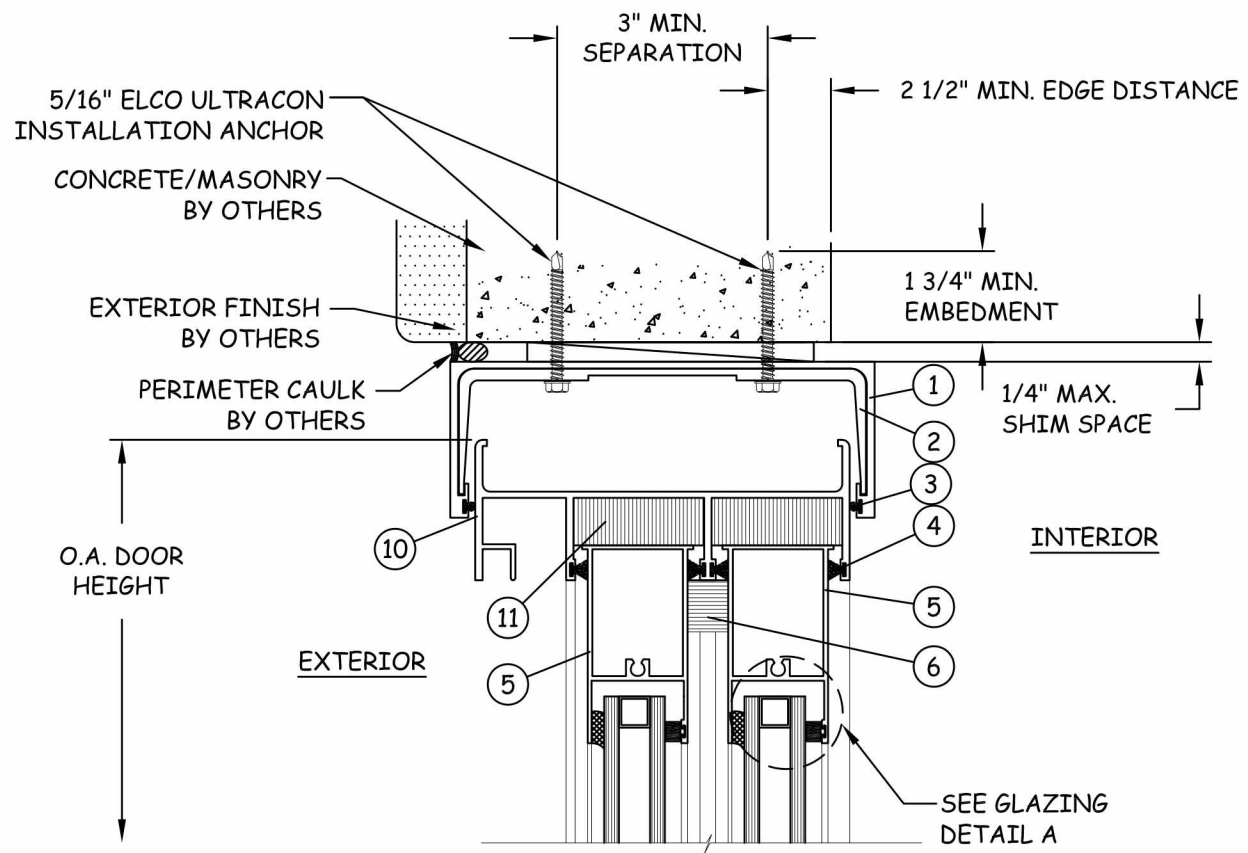
DWG #: **CGS139**
SHEET: **1 OF 9**

Digitally signed by Hermes F. Norero, P.E.
Reason: I am approving this document
Date: 2016.08.25 15:28:37 -04'00'

s:\projects\continental_glass_systems\fb-16-0739.1_fbc_submittal_series_2200_sliding_glass_doors\dwg\cgst139_2200.mxd 8/25/2016 3:08 PM

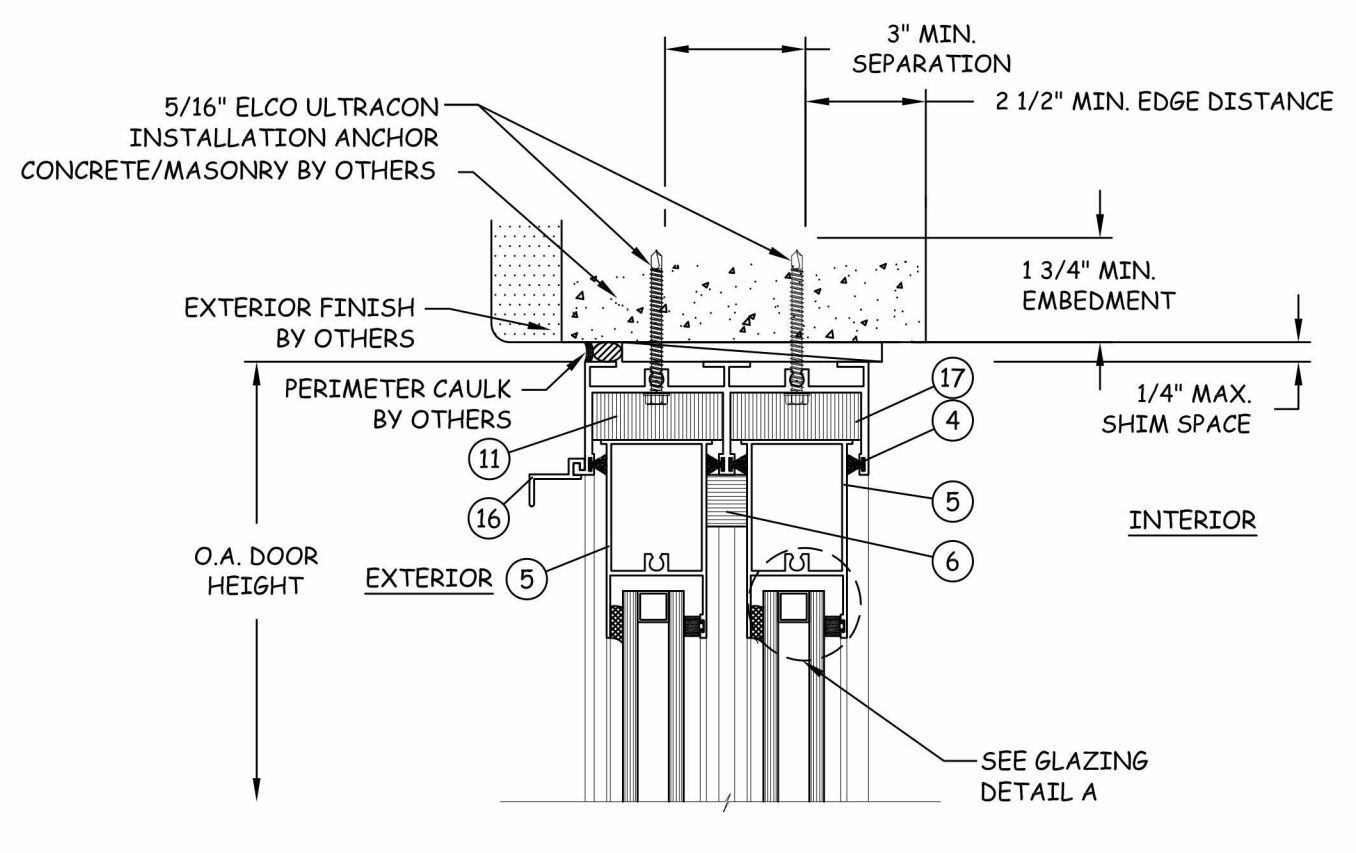
8/25/2016 3:08 PM

s:\projects\continental_glass_systems\16-0739.1_fbc_submittal_series_2200_sliding_glass_doors\dwg\cgs139_2200_m.dwg

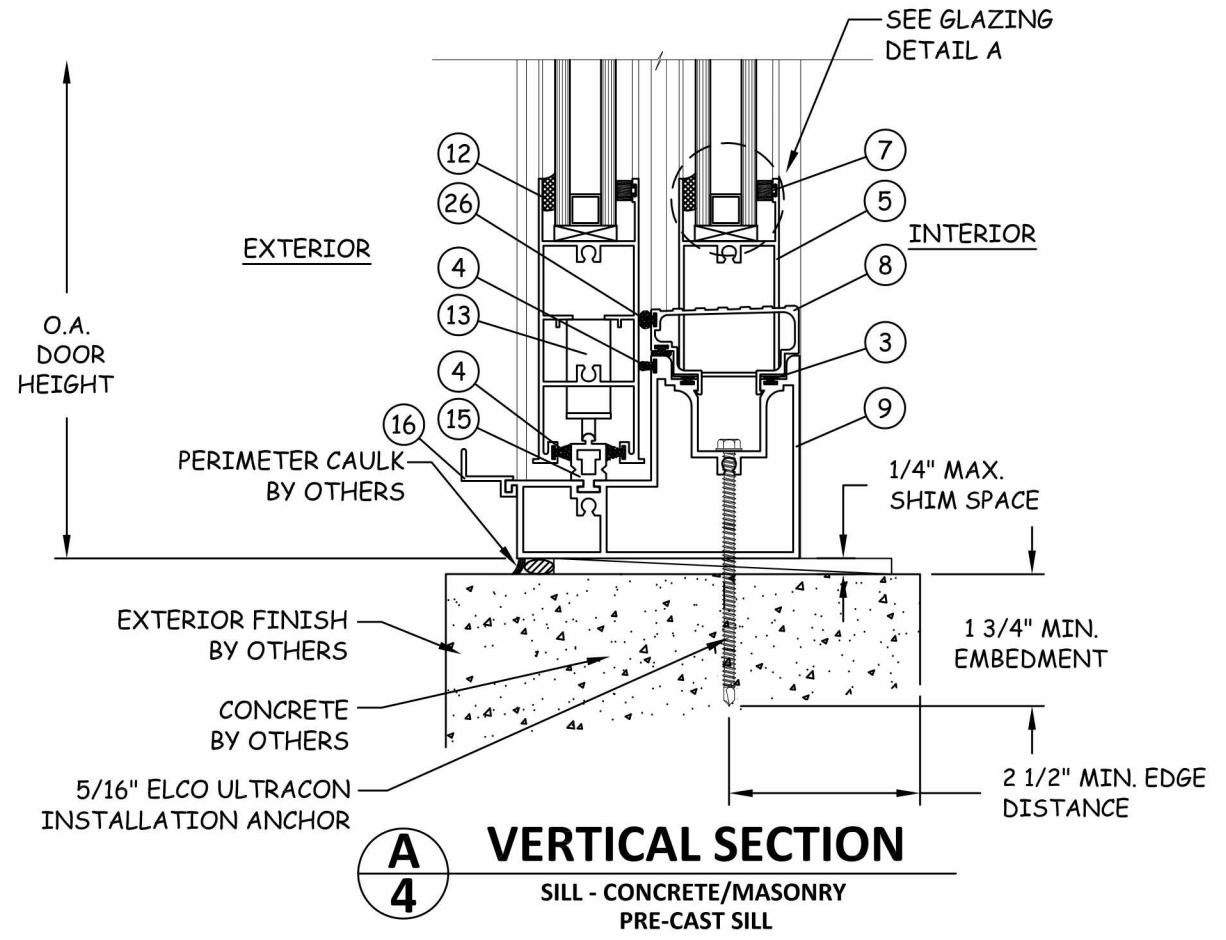


B
4 **VERTICAL SECTION**
REINFORCED HEAD RECEPTOR
CONCRETE/MASONRY

NOTE: ITEM 11 IS CONTINUOUS THROUGH ENTIRE LENGTH OF FRAME HEAD.



C
4 **VERTICAL SECTION**
STANDARD HEAD - CONCRETE/MASONRY



A
4 **VERTICAL SECTION**
SILL - CONCRETE/MASONRY
PRE-CAST SILL

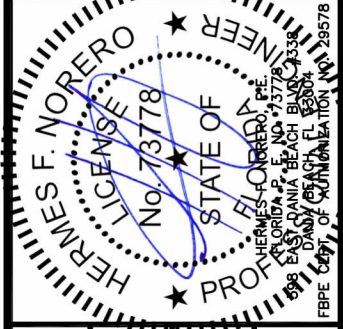


325 W. 74TH PLACE
HIALEAH, FL 33014
PH: (305) 231-1101 FX: (305) 231-1103

TITLE: SERIES 2200 ALUM.
SLIDING GLASS DOOR
VERTICAL SECTIONS

PREPARED BY:
BUILDING DROPS, INC.
398 E. DANIA BEACH BLVD. #338
DANIA BEACH, FL 33004
PH: 954.399.8478 FX: 954.744.4738

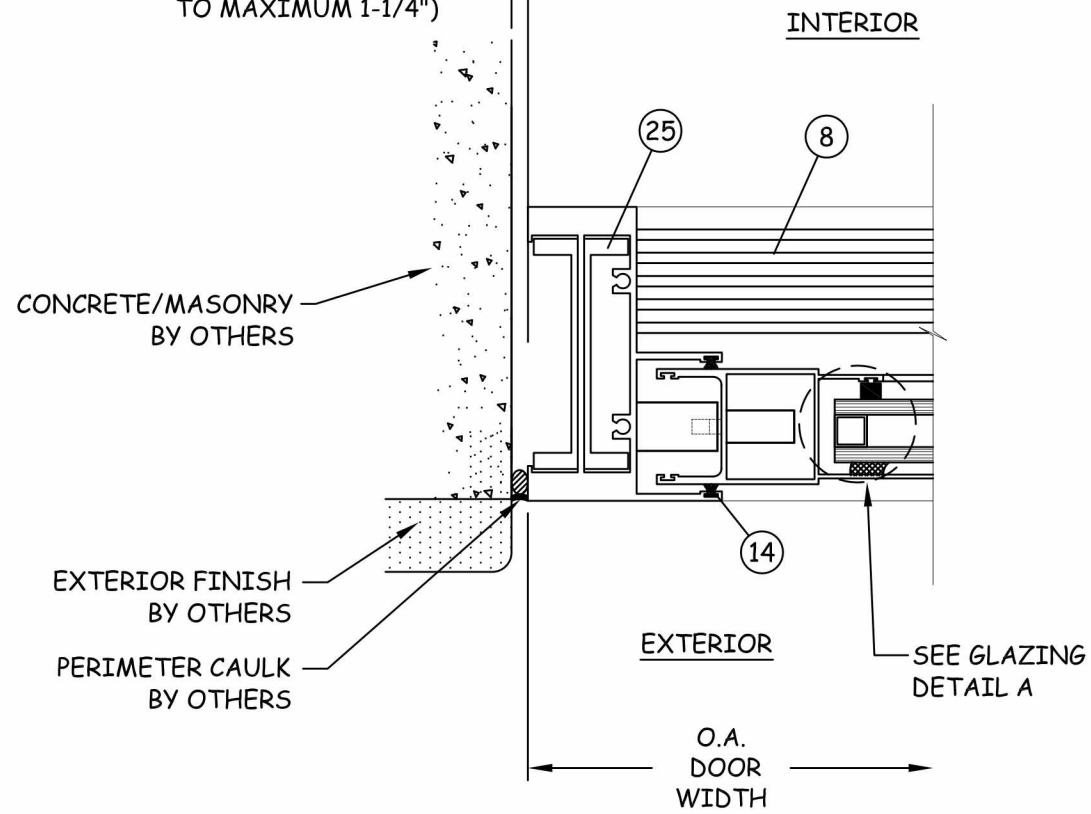
REVISIONS	NO.	DESCRIPTION	BY	DATE



DATE: 08.24.16
DWN BY: JLA
CHK BY: HFN
SCALE: NTS

DWG #: **CGS139**
SHEET: **4 OF 9**

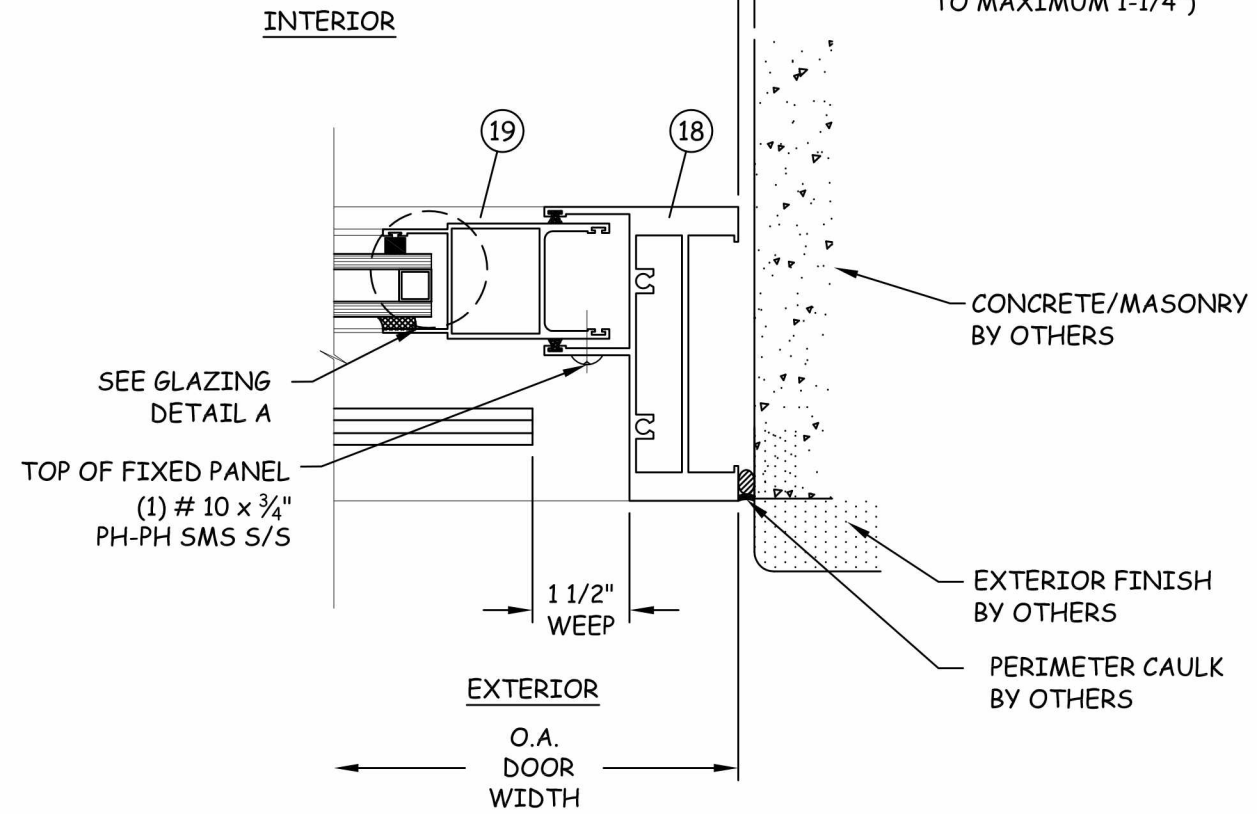
GE2000 SEALANT
JOINT WIDTH
(MINIMUM 7/16"
TO MAXIMUM 1-1/4")



F
5 **HORIZONTAL SECTION**
REINFORCED JAMB - CONCRETE/MASONRY

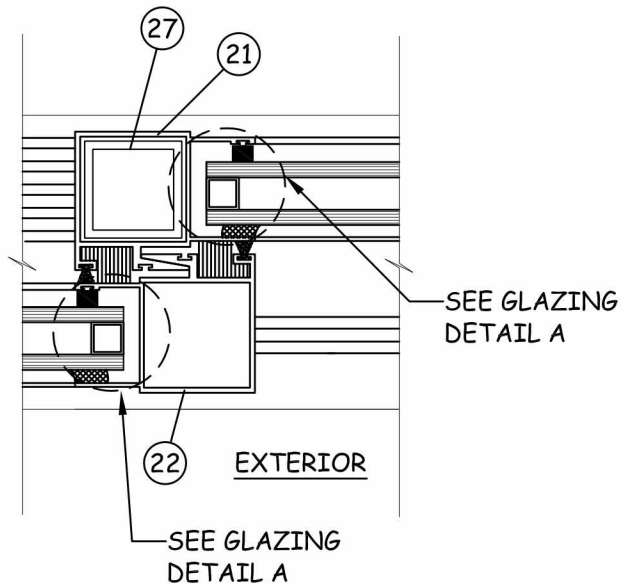
- NOTES:
1. BACKER ROD DIAMETER EQUALS SEAL WIDTH X 120%
 2. SEALANT DEPTH IS 5/8" (-0", +1/16") FOR SEALANT WIDTH UP TO 1-1/4"

GE2000 SEALANT
JOINT WIDTH
(MINIMUM 7/16"
TO MAXIMUM 1-1/4")



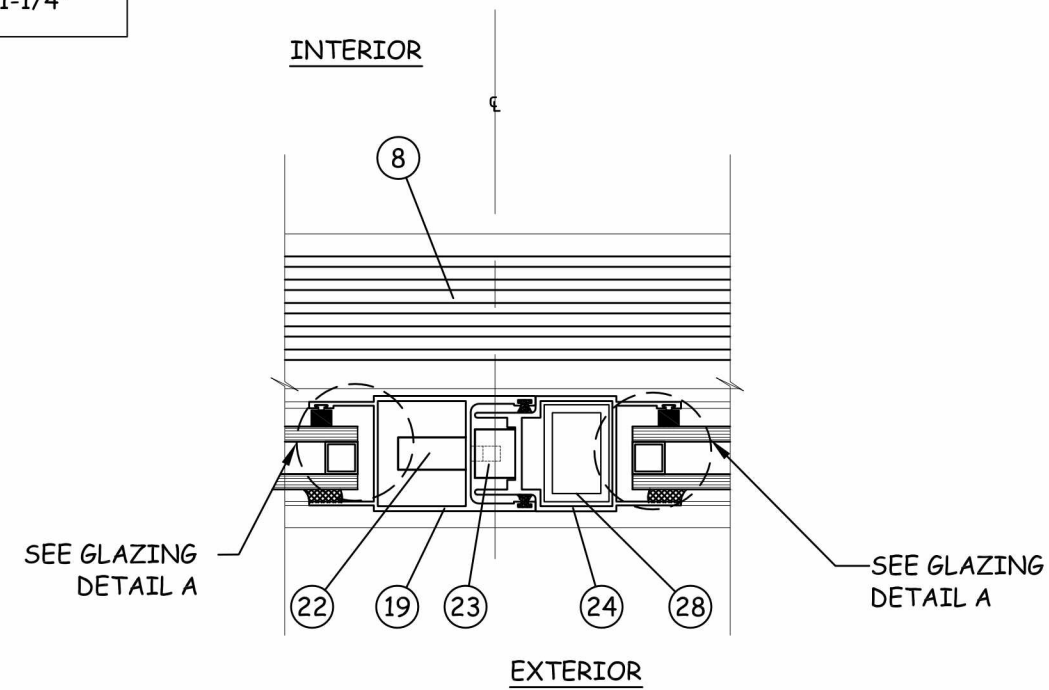
G
5 **HORIZONTAL SECTION**
JAMB - CONCRETE/MASONRY

INTERIOR



D
5 **HORIZONTAL SECTION**
INTERLOCK

INTERIOR



E
5 **HORIZONTAL SECTION**
BUTTSTILE

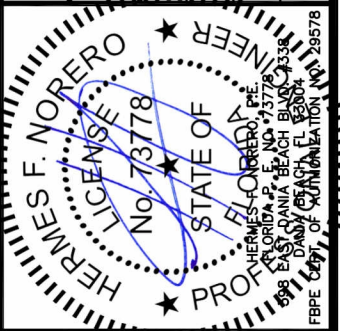


325 W. 74TH PLACE
HIALEAH, FL 33014
PH: (305) 231-1101 FX: (305) 231-1103

TITLE: SERIES 2200 ALUM.
SLIDING GLASS DOOR
HORIZONTAL SECTIONS

PREPARED BY:
BUILDING DROPS, INC.
398 E. DANIA BEACH BLVD. #338
DANIA BEACH, FL 33004
PH: 954.399.8478 FX: 954.744.4738

NO.	DESCRIPTION	BY	DATE



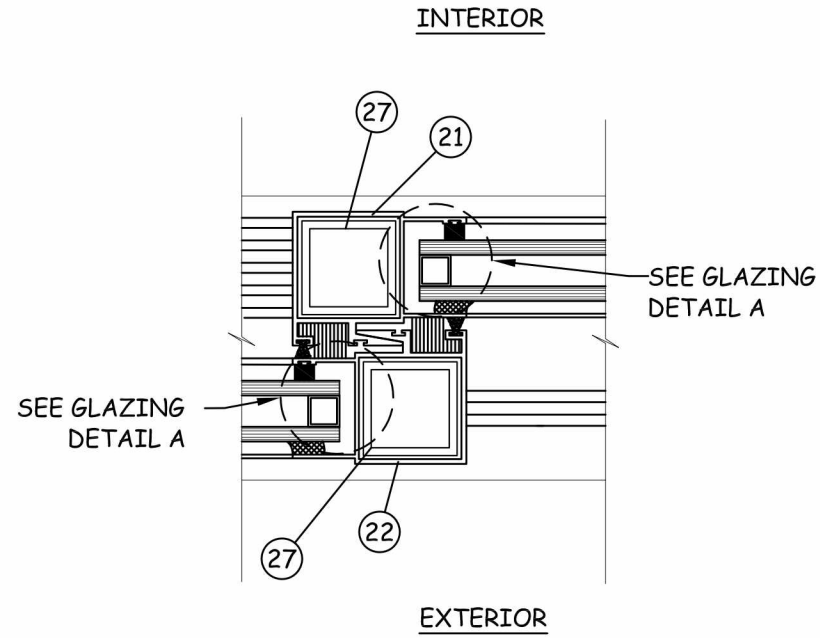
DATE: 08.24.16
DWN BY: JLA
CHK BY: HFN
SCALE: NTS

DWG #: **CGS139**
SHEET: **5 OF 9**

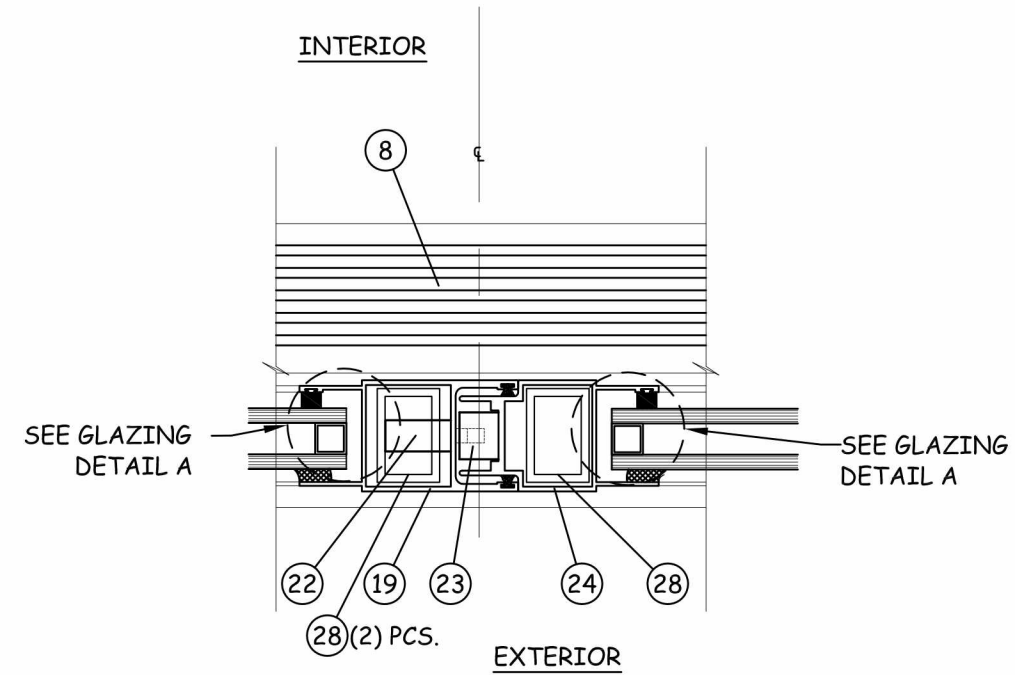
8/25/2016 3:08 PM
s:\projects\continental_glass_systems\fb-16-0739.1_fbc_submittal_series_2200_sliding_glass_doors\dwg\cgs139_2200_hd.dwg

8/25/2016 3:09 PM

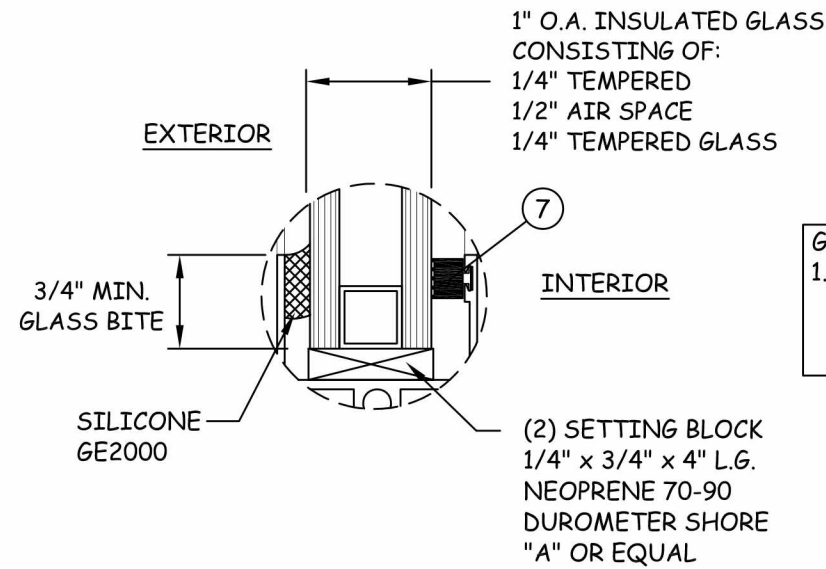
s:\projects\continental_glass_systems\fb-16-0739.1_fbc_submittal_series_2200_sliding_glass_doors\dwg\cgs139_2200_m.dwg



H
6 **HORIZONTAL SECTION**
REINFORCED INTERLOCK



I
6 **HORIZONTAL SECTION**
REINFORCED BUTTSTILE



GLAZING DETAIL A

GLAZING NOTES:
1. ALL GLAZING CONFIGURATIONS SHALL COMPLY WITH SAFETY GLAZING REQUIREMENTS OUTLINED IN FBC SECTION 2406.

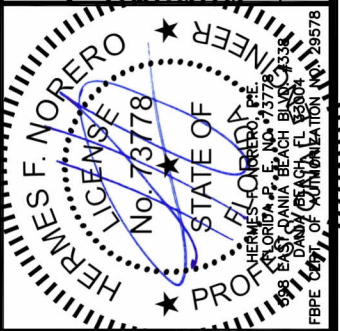


325 W. 74TH PLACE
HIALEAH, FL 33014
PH: (305) 231-1101 FX: (305) 231-1103

TITLE: SERIES 2200 ALUM.
SLIDING GLASS DOOR
HORIZONTAL SECTIONS
& GLAZING DETAIL

PREPARED BY:
BUILDING DROPS, INC.
398 E. DANIA BEACH BLVD. #338
DANIA BEACH, FL 33004
PH: 954.399.8478 FX: 954.744.4738

NO.	DESCRIPTION	BY	DATE



DATE:	08.24.16
DWN BY:	JLA
CHK BY:	HFN
SCALE:	NTS

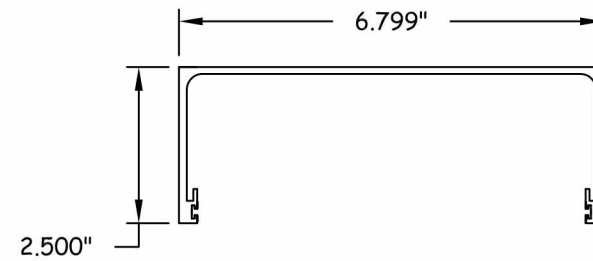
DWG #:
CGS139
SHEET: **6 OF 9**

s:\projects\continental_glass_systems\16-0739.1 fbc submittal series 2200 sliding glass doors.dwg, cgs139 2200 ni.dwg 8/25/2016 3:09 PM

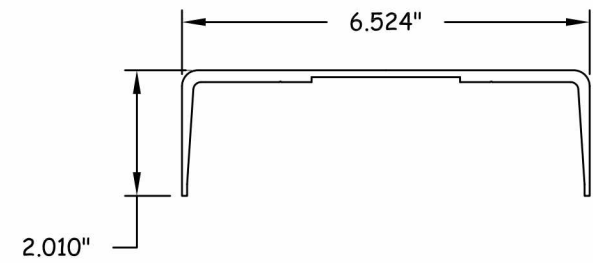
BILL OF MATERIALS

ITEM NO.	DESCRIPTION	PARTS NUMBERS	MATERIAL	MANUFACTURER
1	HEAD RECEPTOR	2000-07	ALUMINUM 6005-T5	CGS
2	REINFORCING	2000-16	ALUMINUM 6005-T5	CGS
3	VINYL BULB	FP-448-V	PLASTIC	
4	FIN-SEAL .370 X .187		ULTRAFAB	ULTRAFAB
5	TOP & BOTTOM PANEL STILE	2200-09	ALUMINUM 6005-T5	CGS
6	INTERLOCK PAD	P 7509 AFK	ULTRAFAB	ULTRAFAB
7	GLASS SPACING		PLASTIC	
8	THRESHOLD	2000-24	ALUMINUM 6063-T6	CGS
9	SILL	2000-03	ALUMINUM 6005-T5	CGS
10	HEAD	2000-01	ALUMINUM 6005-T5	CGS
11	HEAD PAD	P 10009 AFK	ULTRAFAB	ULTRAFAB
12	BOTTOM MOVING PANEL STILE	2200-38	ALUMINUM 6005-T5	CGS
13	WHEEL	AR-50A		
14	FIN-SEAL .250 X .187		ULTRAFAB	ULTRAFAB
15	SILL TRACK	2000-05	ALUMINUM 6005-T5	CGS
16	SCREEN TRACK	2000-15	ALUMINUM 6005-T5	CGS
17	STANDARD HEAD	2000-02	ALUMINUM 6005-T5	CGS
18	JAMB	2000-36	ALUMINUM 6063-T6	CGS
19	LOCK STILE	2200-10	ALUMINUM 6005-T5	CGS
20	INTERLOCK	2200-11	ALUMINUM 6005-T5	CGS
21	LEFT INTERLOCK	2200-17	ALUMINUM 6005-T5	CGS
22	LOCK	D-60 C		
23	KEEPER	KP-50		
24	ASTRAGAL	2200-18	ALUMINUM 6005-T5	CGS
25	ALUMINUM CHANNEL REINFORCEMENT	2200-37	ALUMINUM 6005-T5	CGS
26	Q-LON	U4332		
27	1/8" X 1 1/2" X 1 1/2" ALUMINUM TUBE	2200-38	ALUMINUM 6005-T5	CGS
28	1/8" X 1" X 1 1/2" ALUMINUM TUBE	2200-39	ALUMINUM 6005-T5	CGS

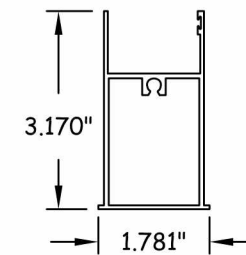
① HEAD RECEPTOR
ALUMINUM 6005-T5
TYPICAL WALL THICKNESS: .118"



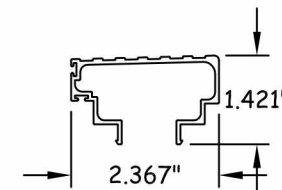
② REINFORCING
ALUMINUM 6005-T5
TYPICAL WALL THICKNESS: .188"



⑤ TOP & BOTTOM PANEL STILE
ALUMINUM 6005-T5
TYPICAL WALL THICKNESS: .075"



⑧ THRESHOLD
ALUMINUM 6063-T6
TYPICAL WALL THICKNESS: .075"



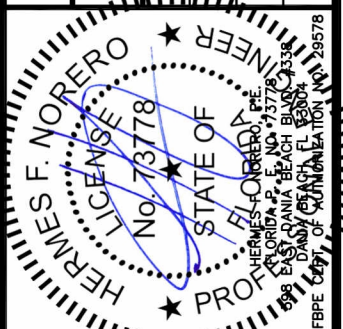
325 W. 74TH PLACE
HIALEAH, FL 33014
PH: (305) 231-1101 FX: (305) 231-1103

TITLE: SERIES 2200 ALUM.
SLIDING GLASS DOOR
COMPONENTS
& BILL OF MATERIALS

PREPARED BY:
BUILDING DROPS, INC.
398 E. DANIA BEACH BLVD. #338
DANIA BEACH, FL 33004
PH: 954.399.8478 FX: 954.744.4738

REVISIONS

NO.	DESCRIPTION	BY	DATE

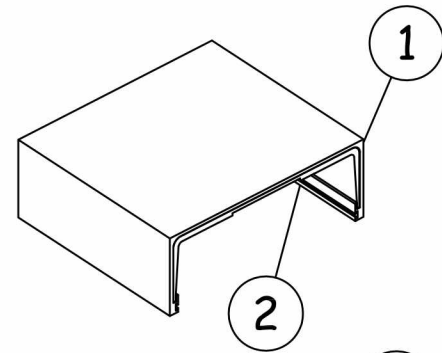


DATE: 08.24.16
DWN BY: JLA
CHK BY: HFN
SCALE: NTS

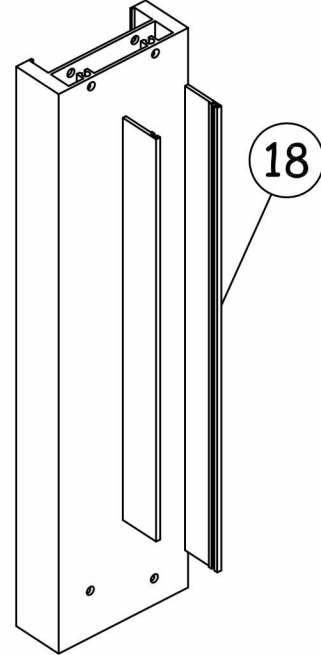
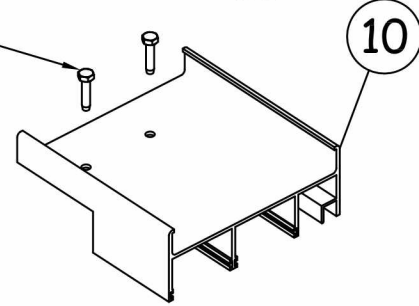
DWG #: **CGS139**
SHEET: **7 OF 9**

8/25/2016 3:09 PM

s:\projects\continental_glass_systems\16-0739.1_fbc_submittal_series_2200_sliding_glass_doors\dwg\cgs139_2200_ni.dwg



#14 x 1" SMS

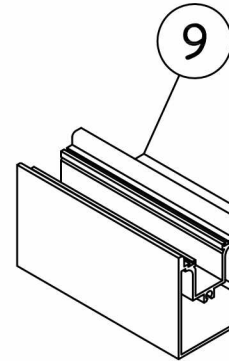
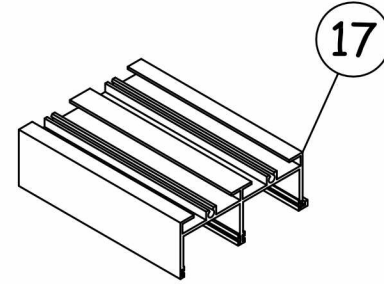
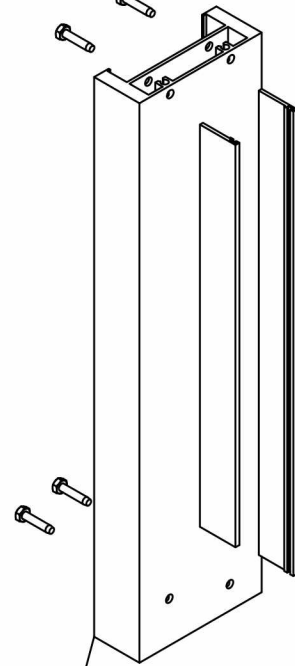


J
9

HEAD RECEPTOR

HEAD ASSEMBLY
FRAME CONSTRUCTION

#14 x 1" SMS

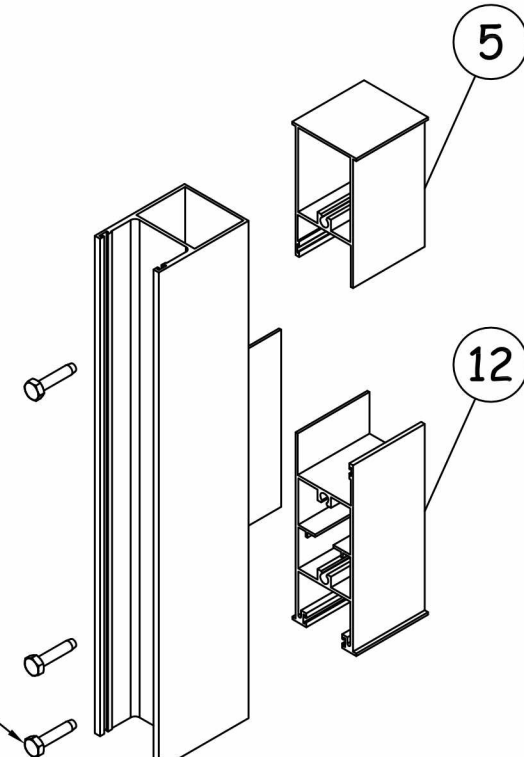


K
9

STANDARD FRAME

HEAD & SILL ASSEMBLY
FRAME CONSTRUCTION

#14 x 1" SMS



L
9

DOOR PANEL

TOP & BOTTOM CORNERS
PANEL CONSTRUCTION



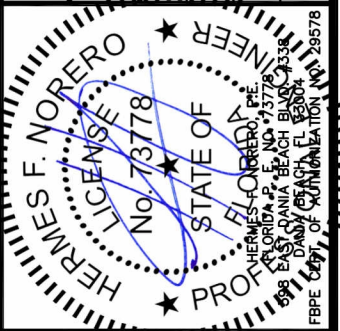
325 W. 74TH PLACE
HIALEAH, FL 33014
PH: (305) 231-1101 FX: (305) 231-1103

TITLE: SERIES 2200 ALUM.
SLIDING GLASS DOOR
CORNER ASSEMBLIES

PREPARED BY:
BUILDING DROPS, INC.
398 E. DANIA BEACH BLVD. #338
DANIA BEACH, FL 33004
PH: 954.399.8478 FX: 954.744.4738

REVISIONS

NO.	DESCRIPTION	BY	DATE



DATE: 08.24.16
DWN BY: JLA
CHK BY: HFN
SCALE: NTS

DWG #: **CGS139**
SHEET: **9 OF 9**